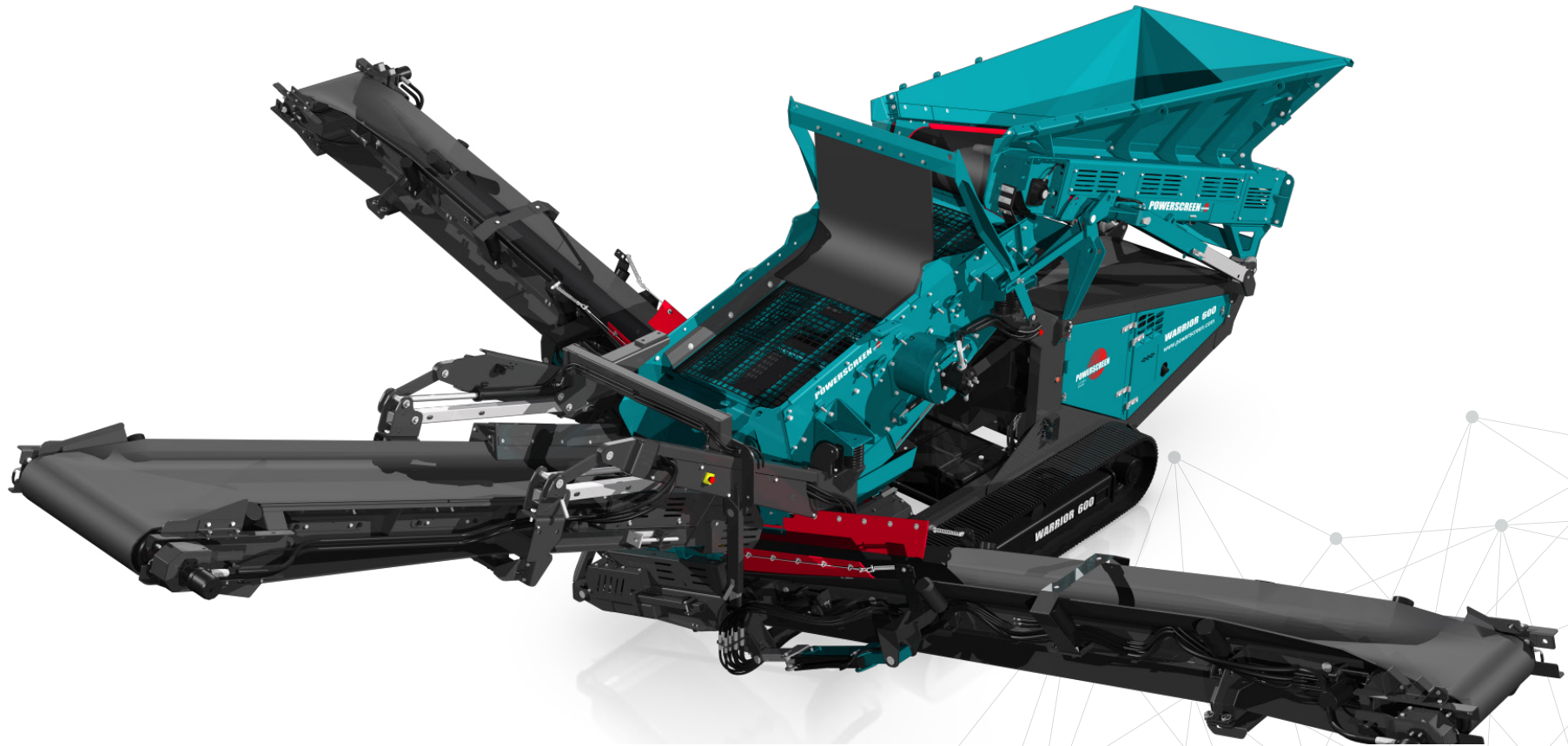


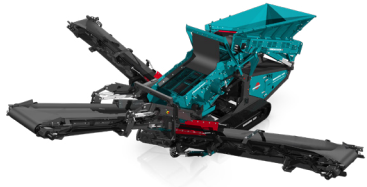
# POWERSCREEN® WARRIOR 600

2 DECK INCLINE SCREEN



TECHNICAL SPECIFICATION - REV 4.1 01/08/2019





## WARRIOR 600



# OVERVIEW

## SPECIFICATION

<b>Total weight</b>	12,000kg (26,455lbs)
<b>Transport</b>	<b>Length</b> 10.98 (36') <b>Width</b> 2.25m (7' 5") <b>Height</b> 2.55m (8' 4")
<b>Working</b>	<b>Length</b> 10.55m (34' 7") <b>Width</b> 10.42m (34' 2") <b>Height</b> 3.33m (10' 11")
<b>Screenbox</b>	2.49m x 1.17m (8' 2" x 3' 10")
<b>Power Unit</b>	Diesel / Hydraulic
<b>Plant Colour</b>	RAL 5021, RAL 7024 & RAL 9005

(Weight & dimensions are approximate base unit values)

## FEATURES & BENEFITS

- High capacity up to 280 tph / 308 US tph (depending on media sizes & material type)
- Maximum feed size 300mm (1'). Maximum allowable feed size may vary depending on material type and screenbox media
- Smart design minimises weight but retains strength and robustness
- Ultra low fuel consumption with optimised hydraulics
- Rapid conversion from 3 way split to 2 way split (fully hydraulic)
- Heavy duty single shaft incline screenbox with adjustable stroke
- Maximum mobility with heavy duty, low ground pressure tracks
- Removable heavy duty pendant remote control system (option)
- Quick set up time
- High performance hydraulic system - cast iron pumps & motors complete with hydraulic cooler
- Versatile unit for 3 way splitting, stockpiling or scalping before or after a crusher
- Simple to operate & maintain
- Variable speed hopper
- Wide range of screen media available
- Power unit featuring a longitudinal engine arrangement to aid access & serviceability
- Drop down rear hopper door to decrease feed in height

## APPLICATIONS



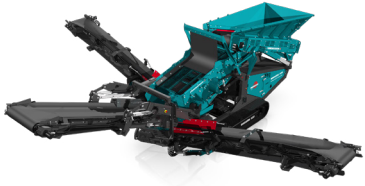
**Aggregate**  
Sand & gravel  
Blasted rock  
River rock



**Recycling**  
Top soil  
C&D waste  
Composted materials  
Wood by-products  
Overburden  
Foundry waste



**Mining**  
Processed ores  
Processed minerals



## WARRIOR 600

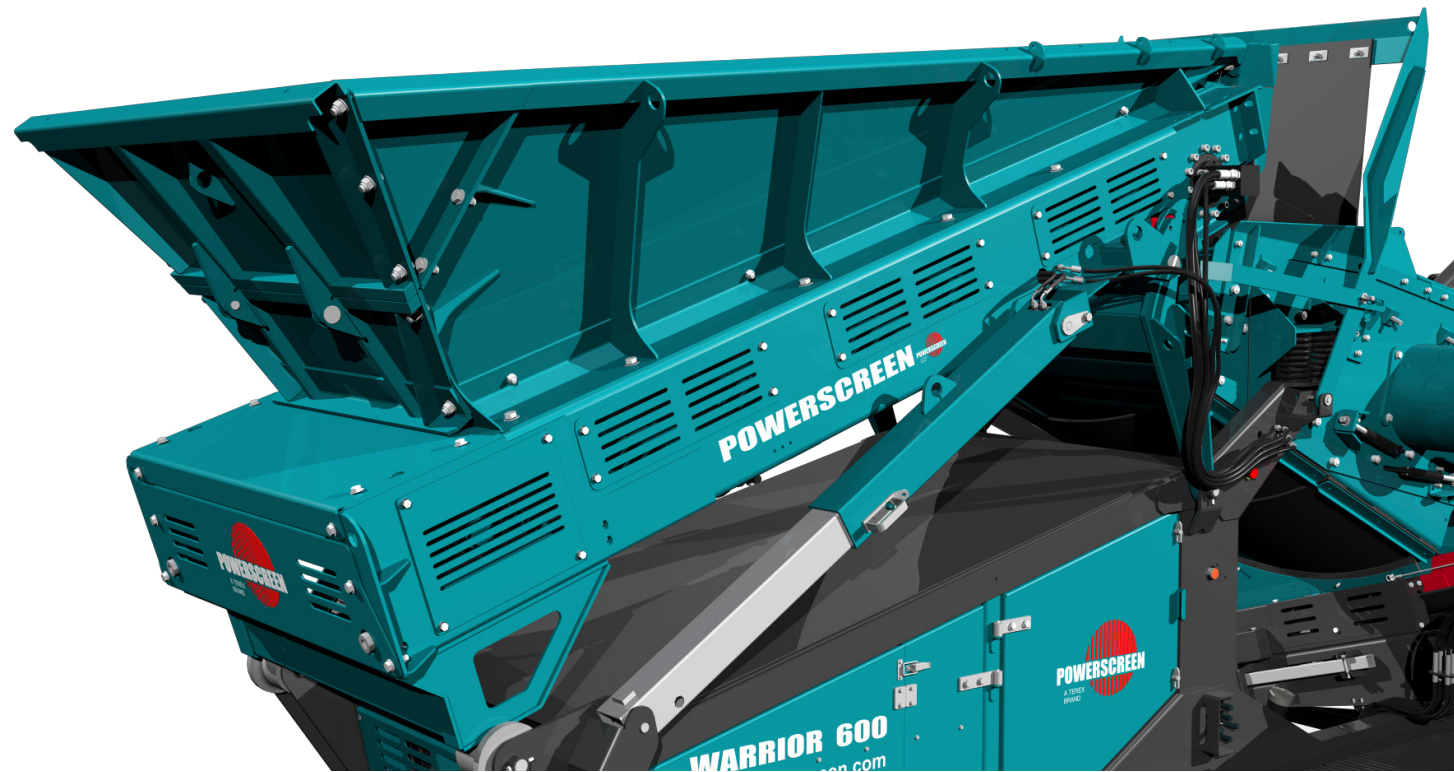


# HOPPER

Target area: 3.32m (10' 11") long x 1.84m (6') wide  
Hopper capacity: 3m<sup>3</sup> (3.9 cu. yd.)  
Folding rear hopper door

Feed in height (rear) : 2.86m (9' 4")  
Feed in height (rear folded) : 2.31m (7' 7")

Feed in height (side) : 3.3m (10' 11")



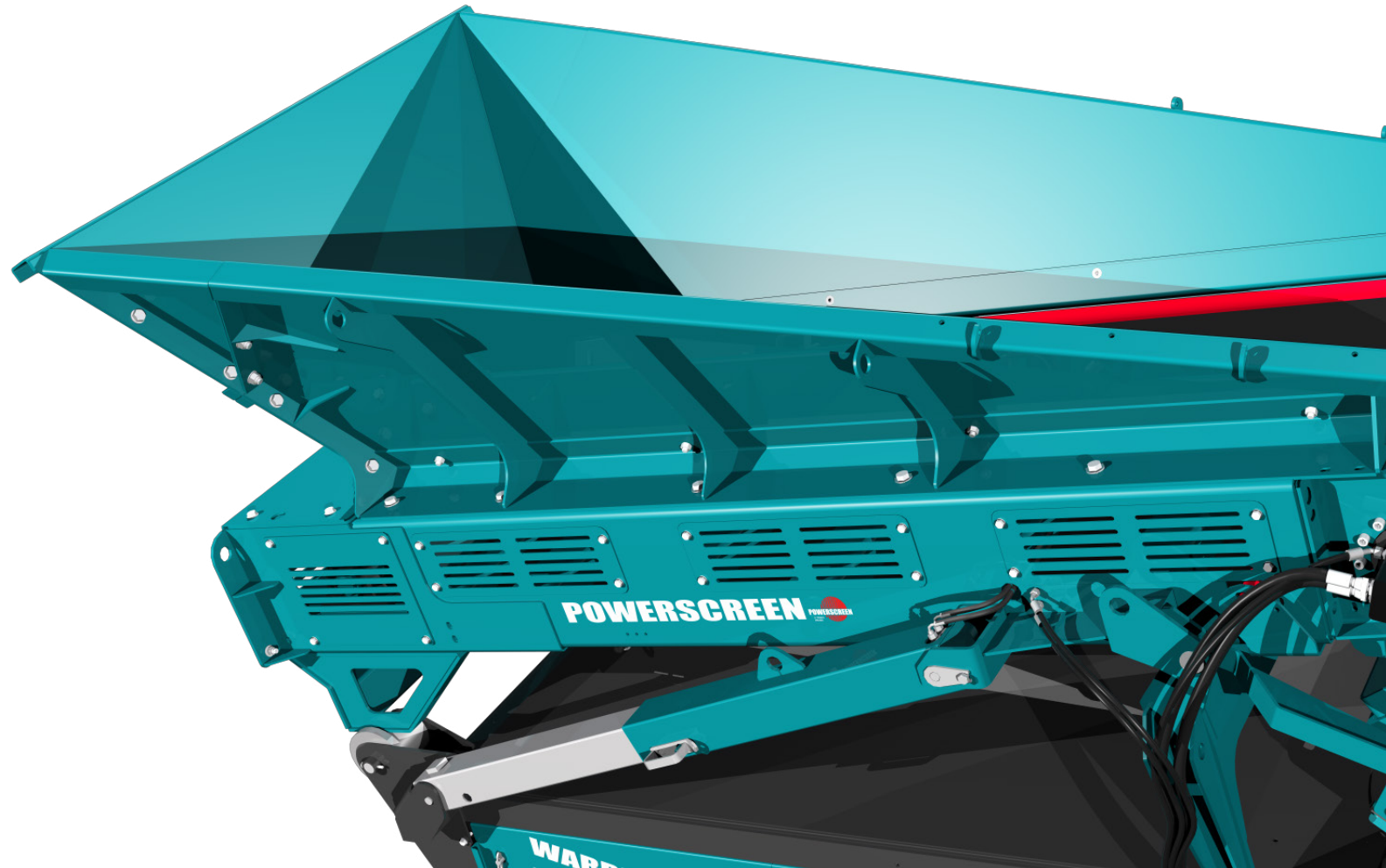


## WARRIOR 600



# HEAVY DUTY BELT FEEDER

- 1000mm (3' 3") 4 ply plain belt
- 3.07m (10' 1") drum centres
- 335mm (13.2") drive drum diameter
- 270mm (10.6") tail drum diameter
- Variable speed control
- Supergrip drive drum standard







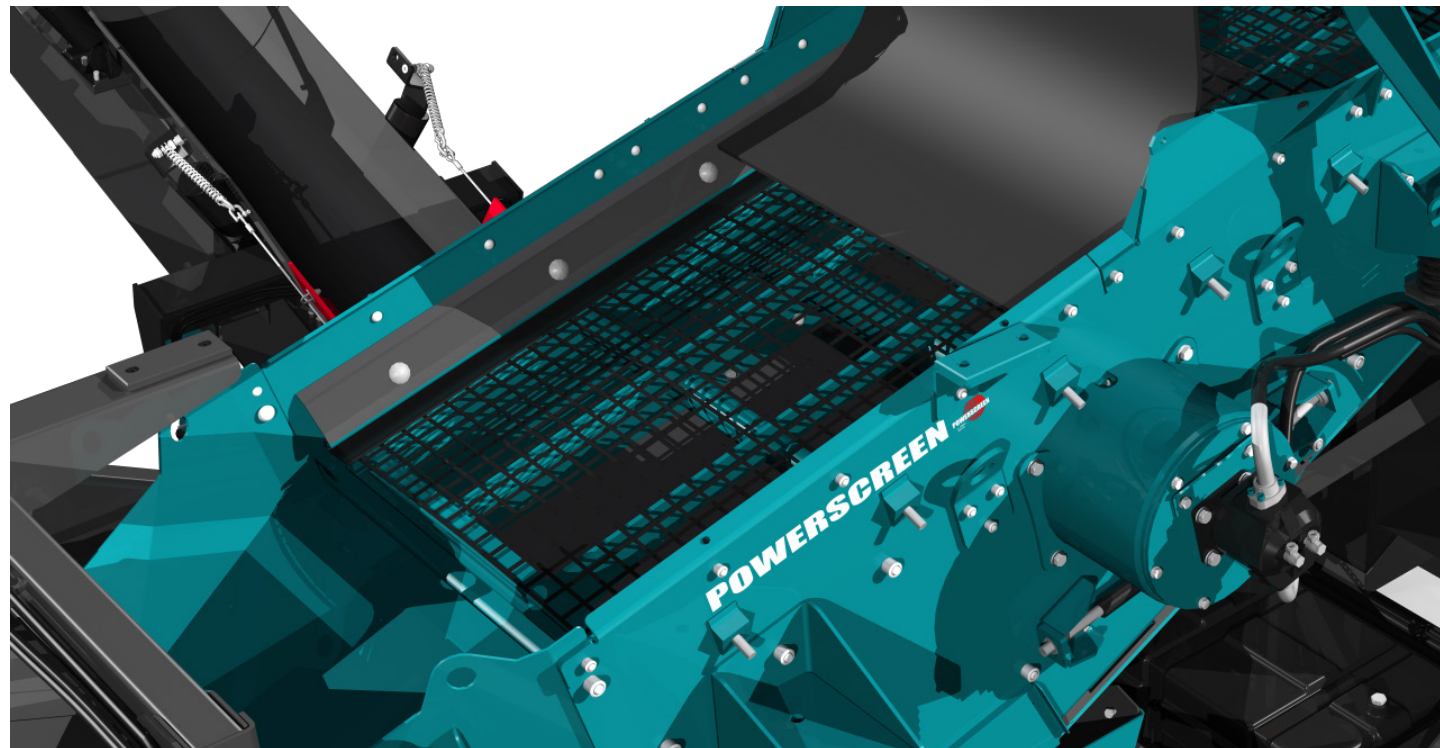
## WARRIOR 600

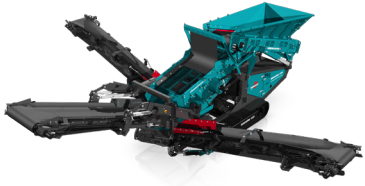


# SCREENBOX

Heavy duty 2.49m x 1.17m (8' 2" x 3' 10") 2 deck screen  
Highly aggressive screen drive  
2 bearing shaft arrangement complete with direct drive system  
Top deck : 2.38m x 1.17m (7' 10" x 3' 10")  
Bottom deck : 2.29m x 1.17m (7' 6" x 3' 10")  
Side tension top deck  
End tension bottom deck  
Stroke: 9.5mm  
Fixed screen angle: 14°  
Top deck media: bofor deck, fingers, punch plate and mesh  
Bottom deck media: mesh, fingers,  
Rubber screen blanket (option)

\*Rigid chute attached to bottom of screenbox. This allows material passing through the bottom deck to be transferred to the fines conveyor.





## WARRIOR 600



# ↓ CONVEYORS

### FINESIZE - SIDE CONVEYOR

650mm (2' 2") wide 3 ply plain belt

5.9m (19' 4") drum centres

216mm (8.5") drum diameter (drive)

200mm (7.9") drum diameter (tail)

2.9m (9' 6") stockpile height

36m<sup>3</sup> (47 cu. yd.) stockpile volume

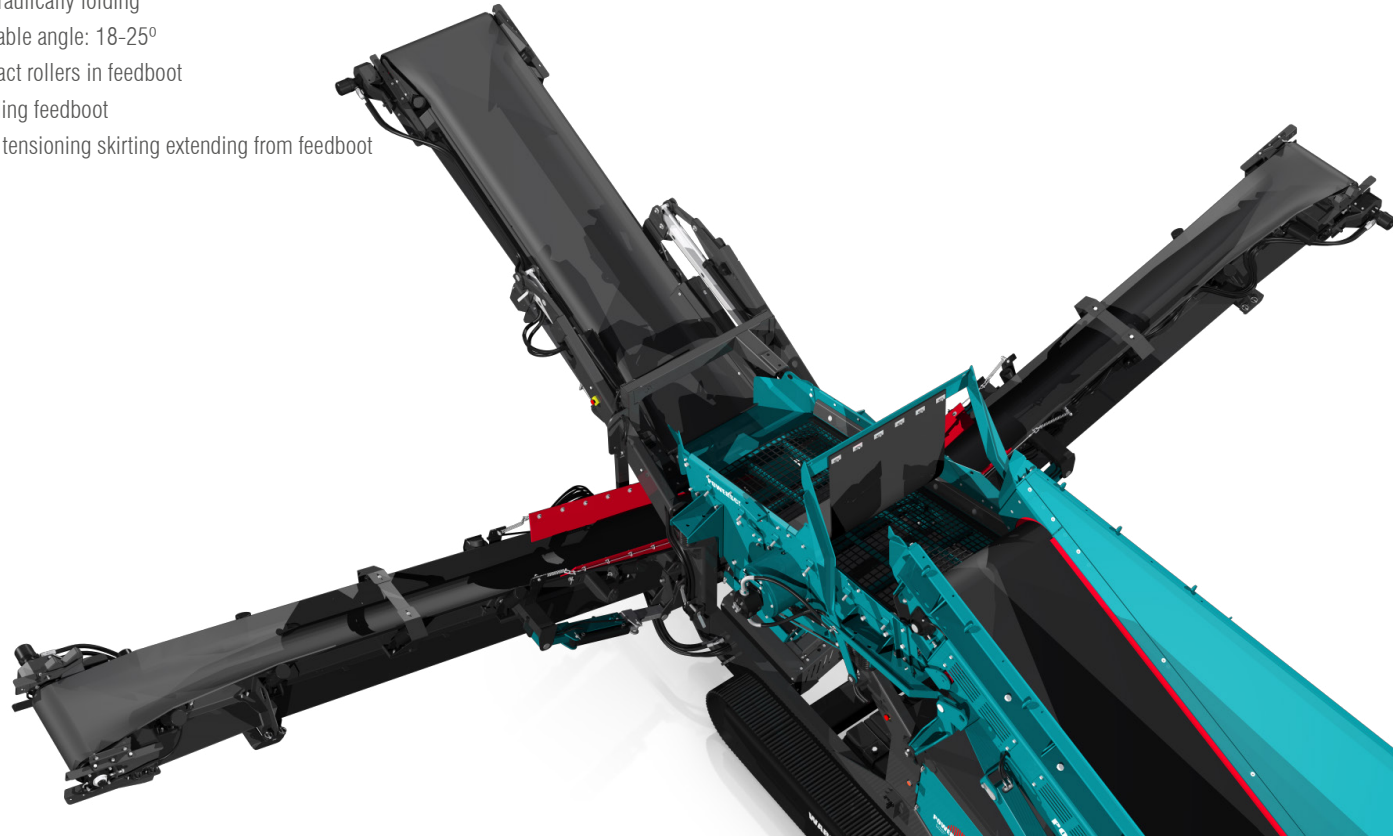
Hydraulically folding

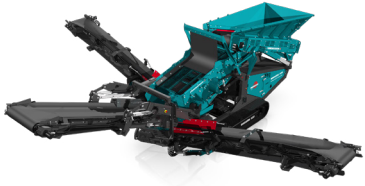
Variable angle: 18-25°

Impact rollers in feedboot

Folding feedboot

Self tensioning skirting extending from feedboot





## WARRIOR 600



# ↓ CONVEYORS

### MIDSIZE - SIDE CONVEYOR

650mm (2' 2") wide 3 ply plain belt

5.9m (19' 4") drum centres

216mm (8.5") drum diameter (drive)

200mm (7.9") drum diameter (tail)

2.8m (9' 2") stockpile height

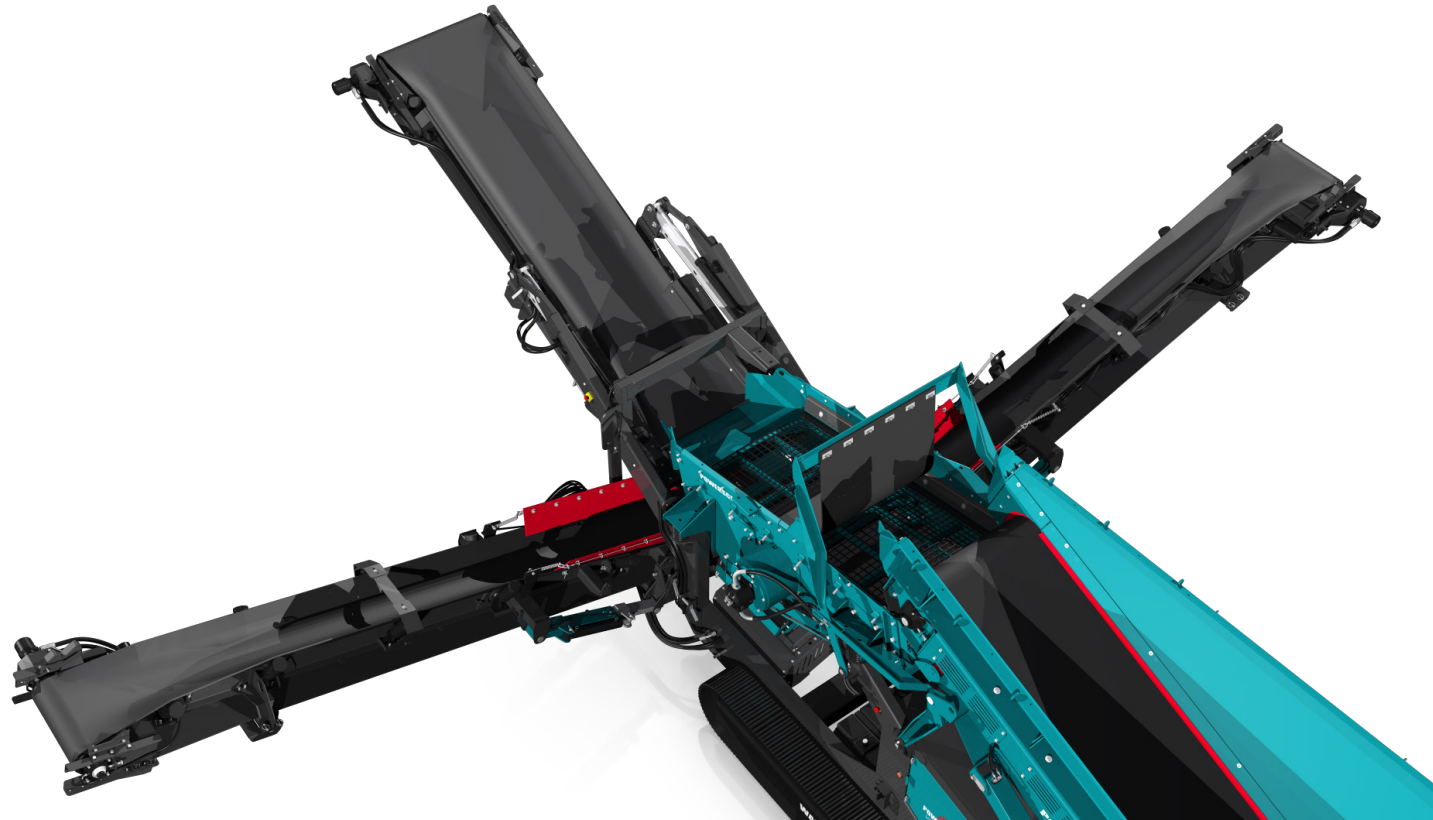
33m<sup>3</sup> (43 cu. yd.) stockpile volume

Variable speed control

Hydraulically folding

Variable angle: 18-25°

Self tensioning skirting extending from feedboot





## WARRIOR 600



# CONVEYORS

### OVERSIZE - TAIL CONVEYOR

1000mm (3' 3") wide 3 ply chevron belt

4.23m (13' 11") drum centres

216mm (8.5") drum diameter (drive)

200mm (7.9") drum diameter (tail)

2.7m (8' 10") stockpile height

29m<sup>3</sup> (38 cu. yd.) stockpile volume

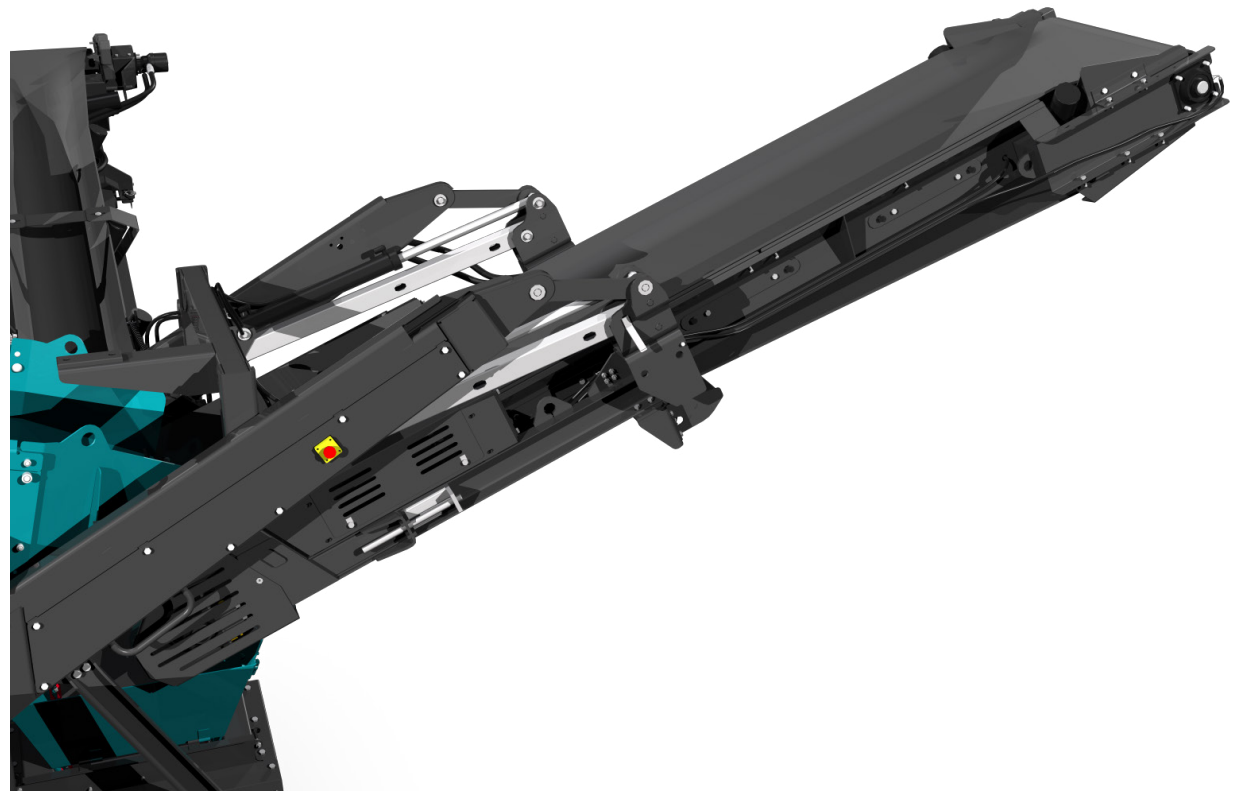
Variable speed control

Impact slips along feedboot

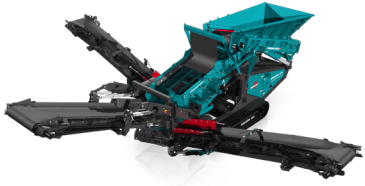
Fixed angle: 20°

Hydraulic adjustment for 3 way split to 2 way split conversion

Hydraulic folding option







## WARRIOR 600



# POWER UNIT & HYDRAULICS

### Engine Tier 3 Equivalent:

Deutz D2011 L04I

### Performance:

36.4kW (48.8 hp) @ 2300rpm

### Engine Tier 4F / Stage IIIB:

Deutz TD2.9L4

### Performance:

42kW (56.3hp) @ 1900rpm

### Tank Capacities:

Fuel: 145 L (38 US Gal)

Hydraulic oil: 250 L (66 US Gal)

### Pumps:

Flywheel pump  
(Tier 3): Tandem 27/27cc/rev

Flywheel pump  
(Tier 4F): Tandem 33/33cc/rev

### Motors:

Belt feeder: Cast iron 125cc/rev

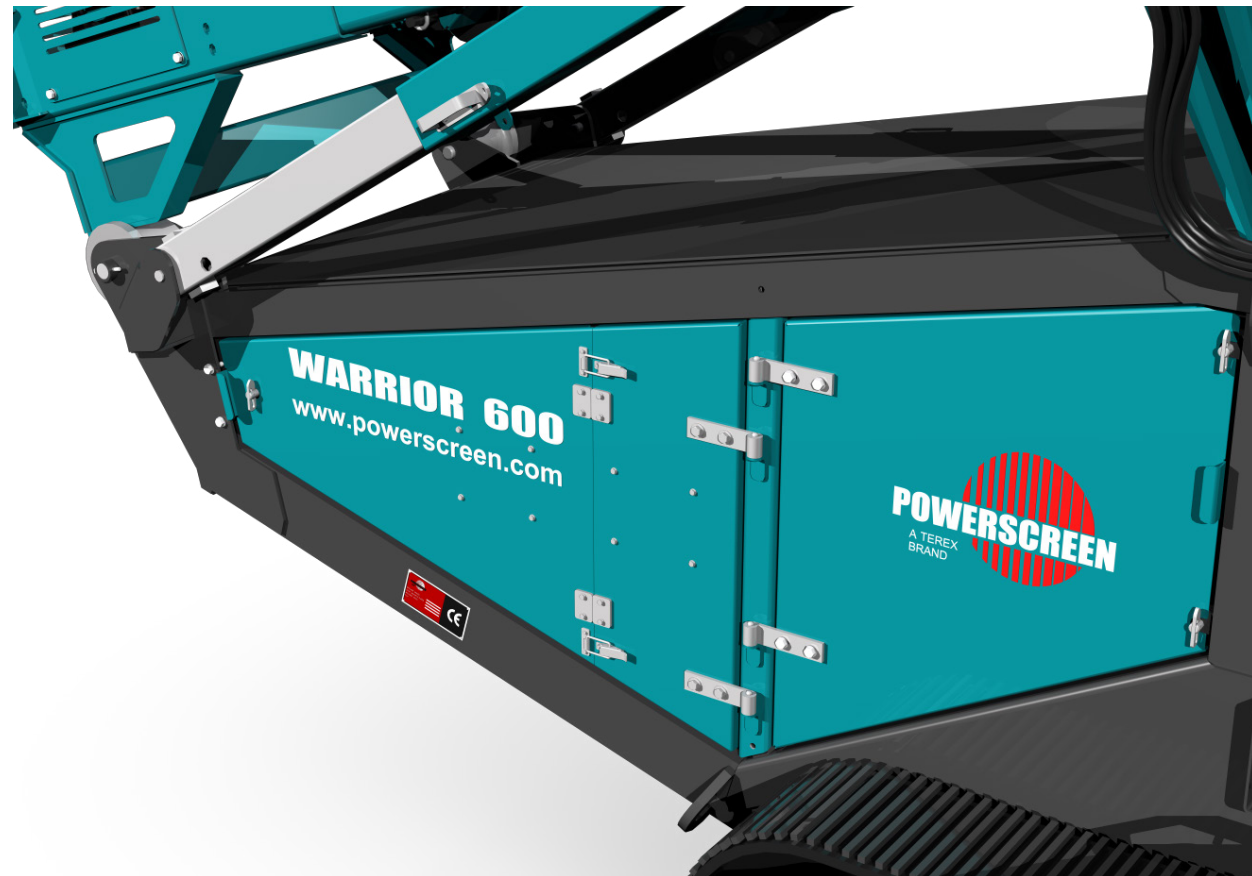
Tail conveyor: Cast iron 500cc/rev

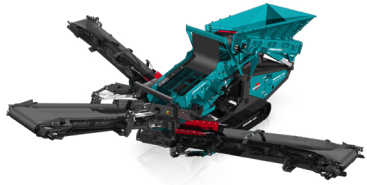
Fines conveyor: Cast iron 400cc/rev

Midsized side  
conveyor: Cast iron 400cc/rev

Oversize tail  
conveyor: Cast iron 500cc/rev

Screen: Cast iron 56cc/rev



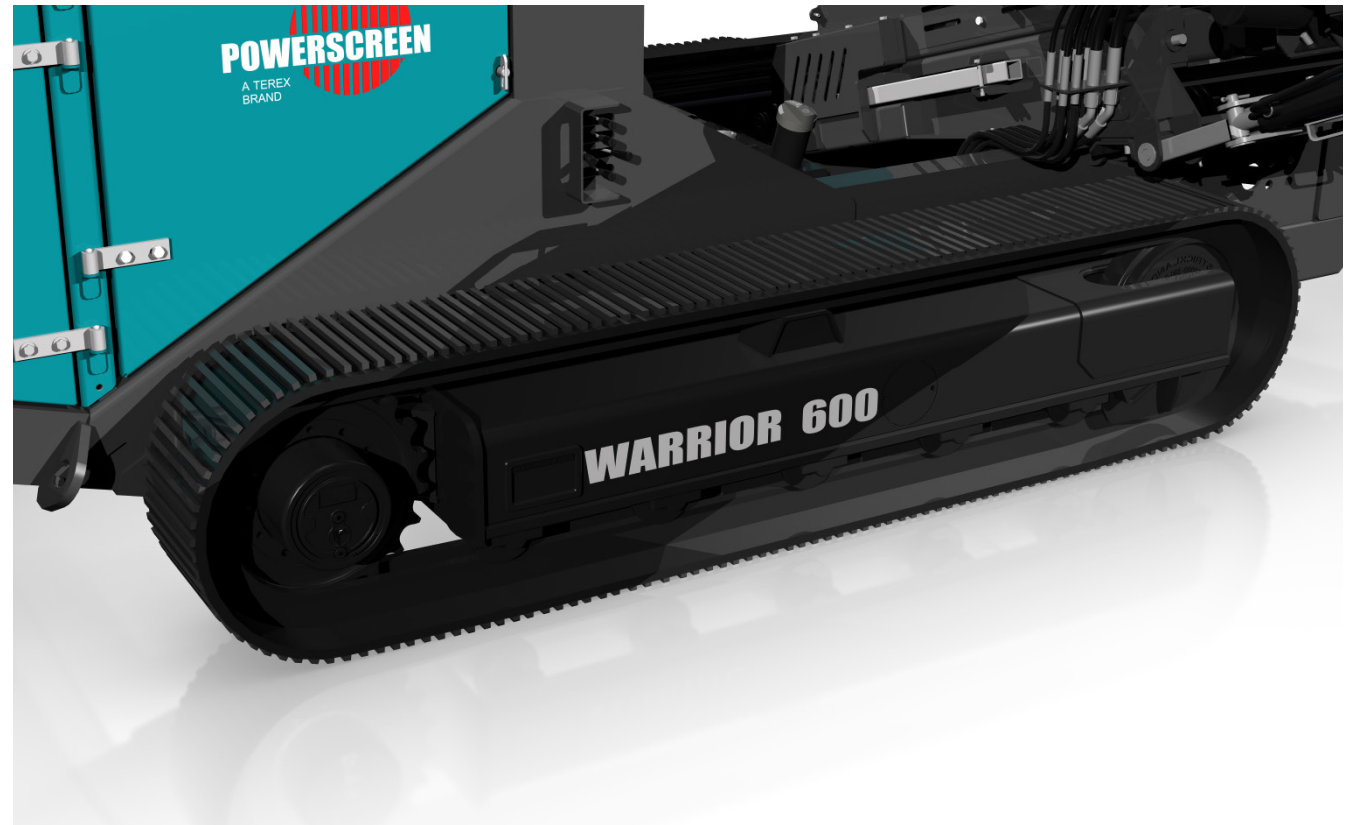


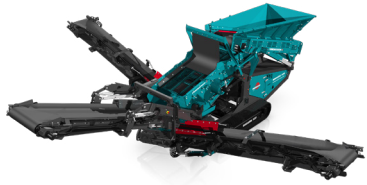
## WARRIOR 600



## TRACKS

Track width:	300mm (1')
Sprocket centres:	2187mm (7' 2")
Approximate speed:	1.8kph (1.12mph) (slow) 3.3kph (2.05mph) (fast)
Single speed version:	1.8kph (1.12mph) (Standard with flow regulated track solenoid for slower speed)
Total flow per track:	60.9 Lpm

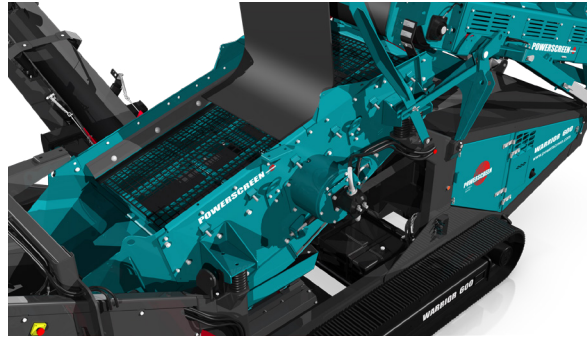




## WARRIOR 600



## OPTIONS

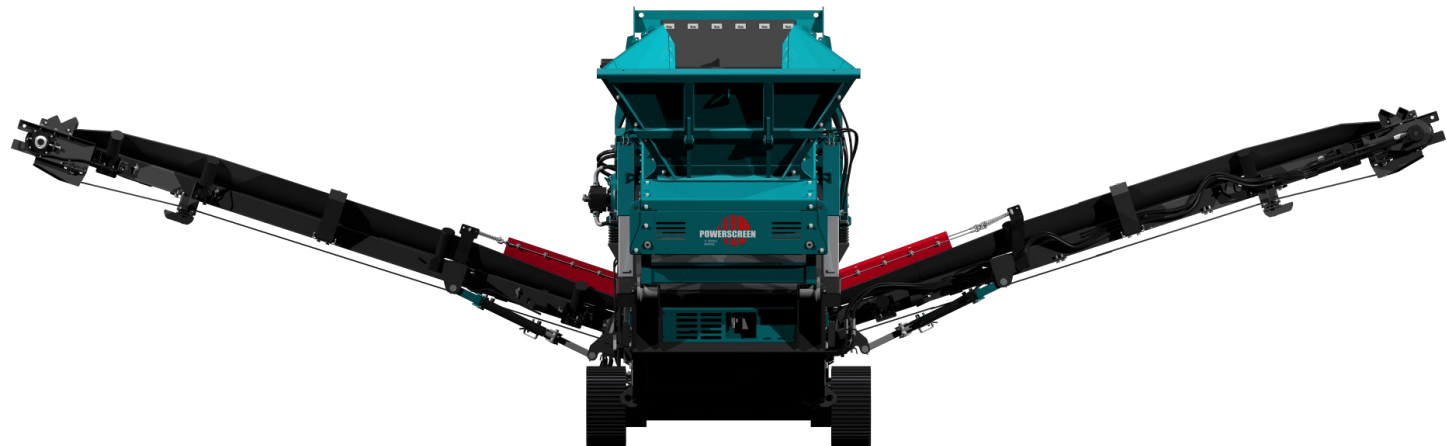


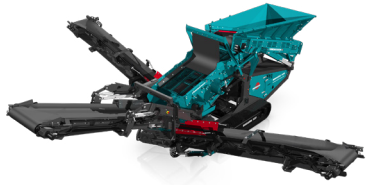
### SCREEN BLANKET

Screen blanket available to slow material progress across the top deck and also aid sticky material to pass through the screen deck

### OTHER OPTIONS

- Custom colour machine
- Chevron side conveyor belts
- Auto lubrication system
- Radio controlled tracking
- Quick release wedge screen tensioning (side tensioned only)
- Wide range of screen media
- Screen blanket option
- Hydraulically folding tail conveyor
- Powerscreen Pulse





## WARRIOR 600



# ↓ POWERSCREEN PULSE

## RECORD, DISPLAY AND ANALYSE DATA:

HIGH EFFICIENCY THROUGH PRECISE INFORMATION

Available online anywhere and at any time: comprehensive information on the GPS location, start and stop times, fuel consumption, tonnages, cone settings, wear ratings, operating hours, maintenance status, and much more.



  
**AVAILABLE ANYWHERE AND AT ANY TIME**

  
**DASHBOARD DISPLAY**

  
**FLEET OVERVIEW**

  
**WEEKLY REPORT DIRECT TO YOUR INBOX**

  
**GPS: MACHINE TRACKING**

  
**REPORTING UTILISATION, PERFORMANCE & PART SPECIFIC**



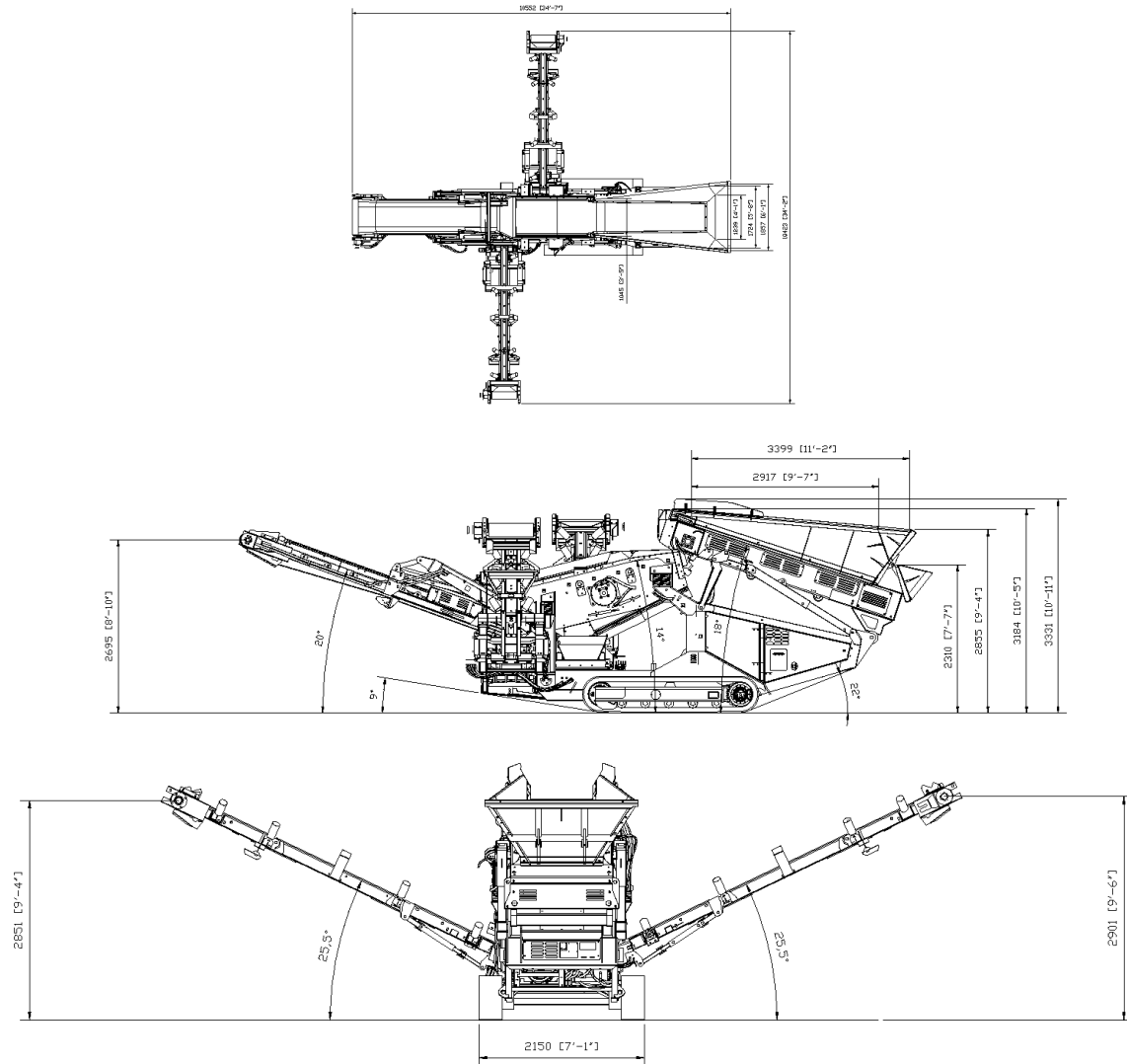


# WARRIOR 600

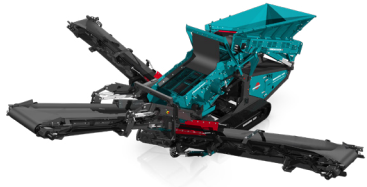


## DIMENSIONS

Figure 1: Warrior 600  
Working Position



[MORE DIMENSIONS OVERLEAF](#)

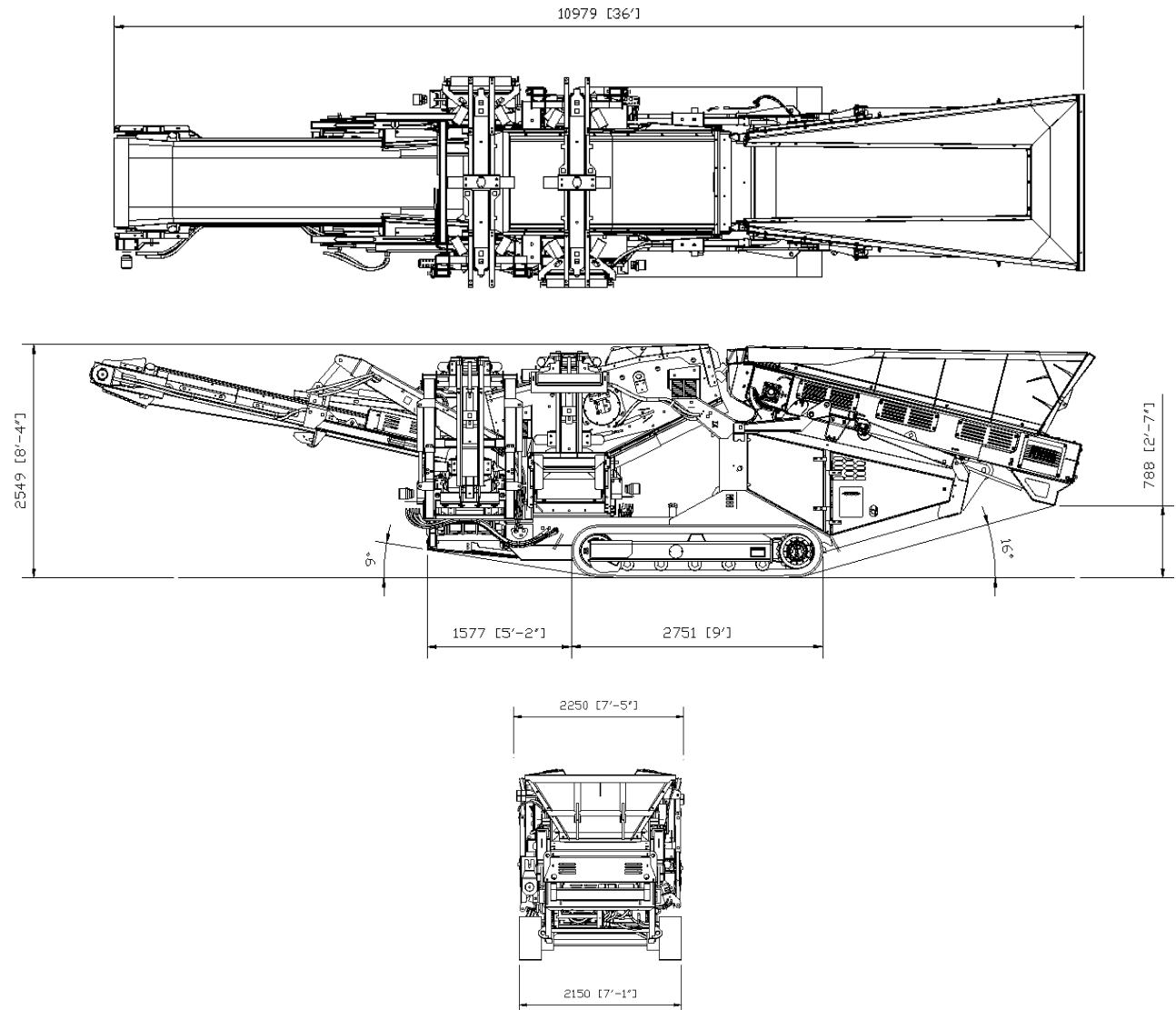


## WARRIOR 600



# DIMENSIONS

Figure 2: Warrior 600  
Transport Position





### **Powerscreen equipment complies with CE requirements.**

Please consult Powerscreen if you have any other specific requirements in respect of guarding, noise or vibration levels, dust emissions, or any other factors relevant to health and safety measures or environmental protection needs. On receipt of specific requests, we will endeavour to ascertain the need for additional equipment and, if appropriate, quote extra to contract prices.

All reasonable steps have been taken to ensure the accuracy of this publication, however due to a policy of continual product development we reserve the right to change specifications without notice.

It is the importers' responsibility to check that all equipment supplied complies with local legislation regulatory requirements.

Plant performance figures given in this brochure are for illustration purposes only and will vary depending upon various factors, including feed material gradings and characteristics. Information relating to capacity or performance contained within this publication is not intended to be, nor will be, legally binding.

## **GET IN TOUCH**

### **Dungannon**

200 Coalisland Road, Dungannon,  
Co Tyrone, BT71 4DR, Northern Ireland  
Tel: +44 (0) 28 87 718 500  
Fax: +44 (0) 28 87 747 231

### **Louisville**

11001 Electron Drive,  
Louisville, Kentucky, 40299 USA  
Tel: +1 502 736 5200  
Fax: +1 502 736 5202

